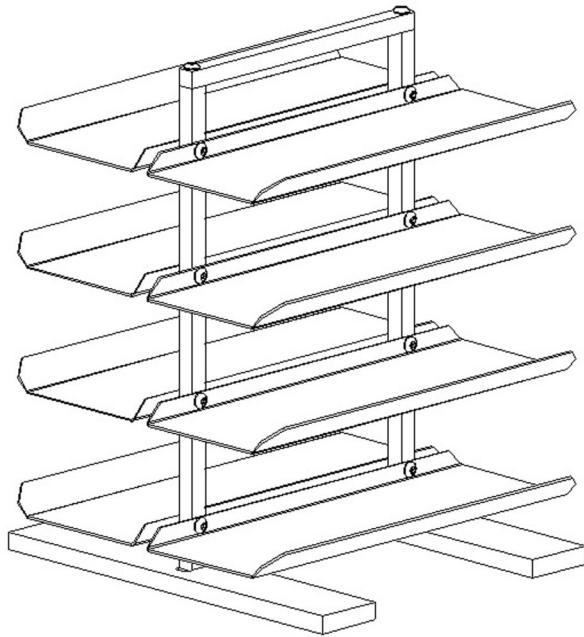




Carlisle Machine Works, Inc.

Handi-Shelf Assembly Instructions



31B001-0000

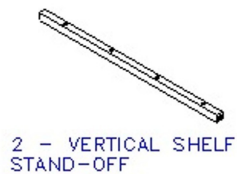
What is Required



2 - HANDI-SHELF FOOT



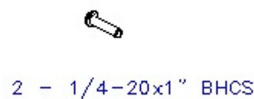
1 - TOP HANDLE



2 - VERTICAL SHELF STAND-OFF



8 - SHELF



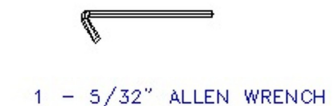
2 - 1/4-20x1" BHCS



16 - 1/4-20x0.25" BHCS



2 - 1/4-20x1" FHCS

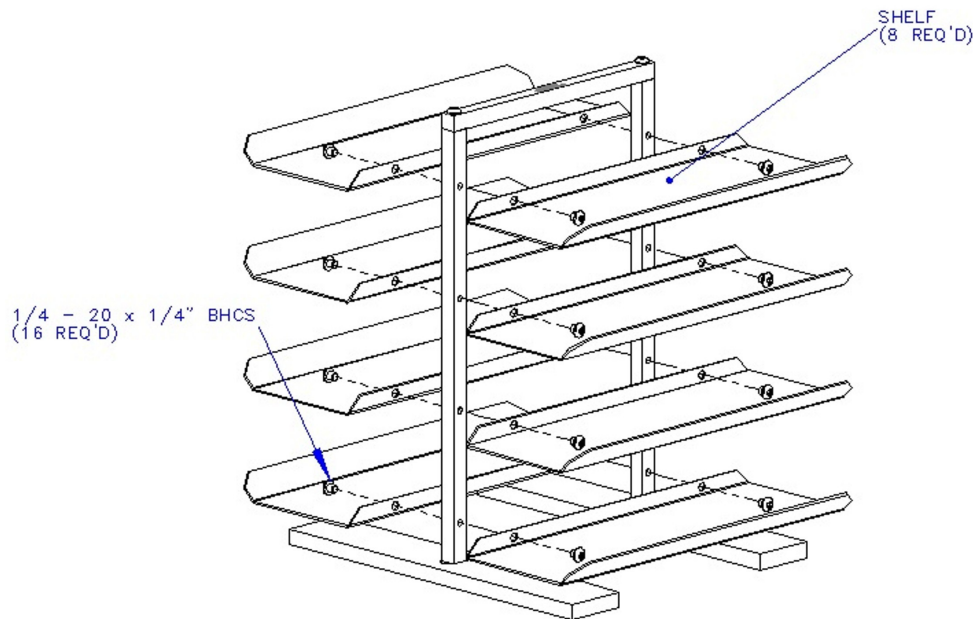
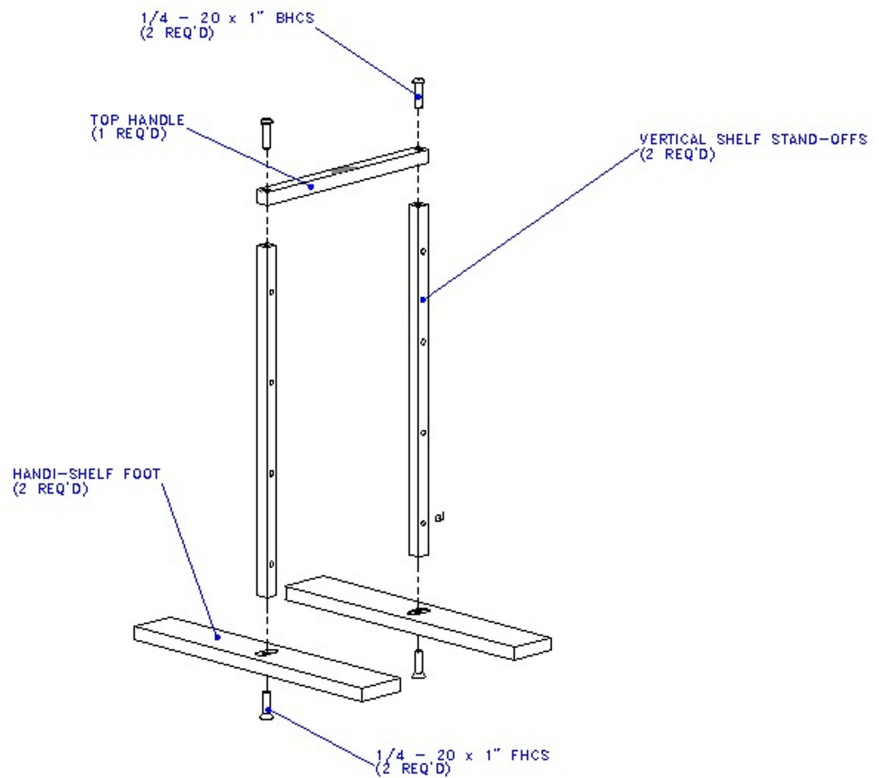


1 - 5/32" ALLEN WRENCH

Carlisle Machine Works, Inc.,
P.O. Box 746, 412 S. Wade Blvd., Bldg. #5, Millville, NJ 08332
Toll Free Phone : (800) 922 - 1167 Local Phone : (800) 825 - 0627
Fax: (856) 825 - 5510
Website: carlislemachine.com Email: carlisle@carlislemachine.com



Step #1



Step #2

Carlisle Machine Works, Inc.,
P.O. Box 746, 412 S. Wade Blvd., Bldg. #5, Millville, NJ 08332
Toll Free Phone : (800) 922 - 1167 Local Phone : (800) 825 - 0627
Fax: (856) 825 - 5510
Website: carlislemachine.com Email: carlisle@carlislemachine.com

